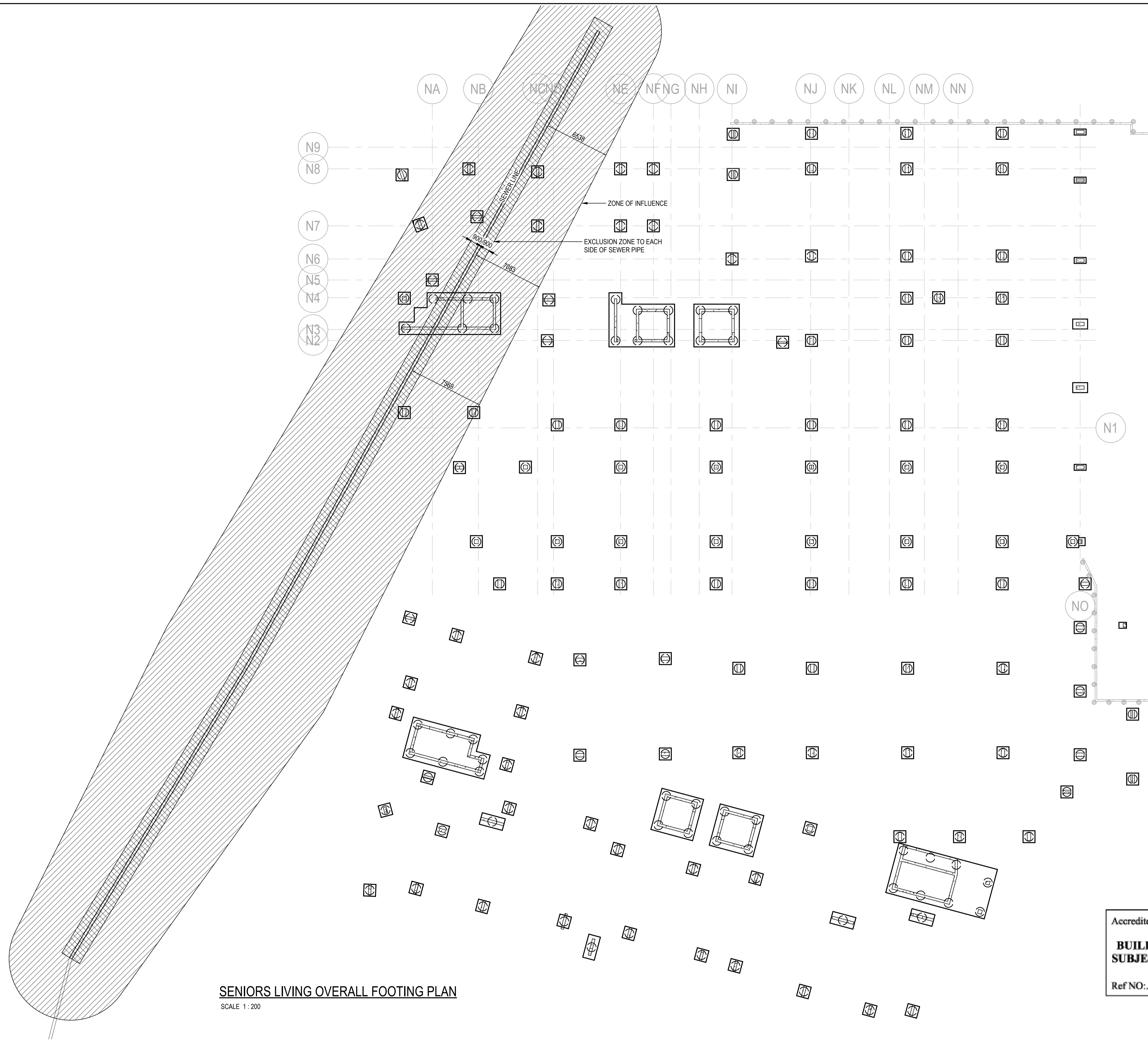


- NOTES:**
1. REFER DRG. No. 0101 TO 0104 FOR STRUCTURAL NOTES
 2. REFER DRG. No. 0111 TO 0114 FOR TYPICAL DETAILS
 3. FOR ALL SET OUT DIMENSIONS, LEVELS, SET DOWNS, HOBS, KERBS AND FALLS, REFER TO ARCHITECTS DRAWINGS.



SENIORS LIVING OVERALL FOOTING PLAN
SCALE 1:200

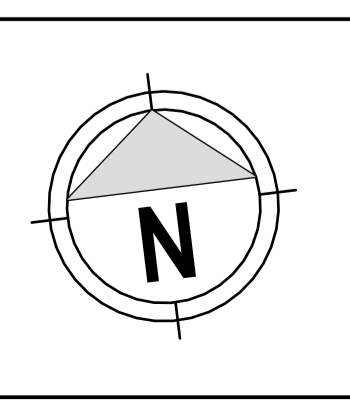
Accredited Supplier to SYDNEY WATER
BUILDING PLAN APPROVED
SUBJECT TO REQUIREMENTS
Ref NO.: 1937638 Date: 21/08/24

K:\Revit\Temporary Files\121002 - HammondCare_R1\2024 - Jettan Nguyen.rvt 7/08/2024 1:48:13 PM

REVISIONS			
No.	REVISION DESCRIPTION	V.N.	DATE
A	ISSUED FOR INFORMATION		07-06-2024

SCALE BAR
0 10 20 30 40 50 100 mm 1:1

WHERE THE DRAWING HAS BEEN ALTERED, AMENDED OR CHANGED EITHER MANUALLY OR ELECTRONICALLY BY ANY THIRD PARTY, THIS IS AN UNCONTROLLED DOCUMENT ISSUED FOR INFORMATION PURPOSES ONLY. UNLESS SIGNED, FIGURED DIMENSIONS TAKE PRECEDENCE OVER SCALED. DO NOT SCALE REVISED SIZE DRAWINGS. VERIFY DIMENSIONS PRIOR TO COMMENCING ANY ON-SITE OR OFF-SITE WORKS OR FABRICATION. IF IN DOUBT - ASK.



van der meer

LEVEL 6, 39 CHANDOS STREET
SYDNEY NSW 2065
Telephone 61-2-9436 0433 Fax 61-2-9436 1370

CLIENT
HammondCare Champion Life

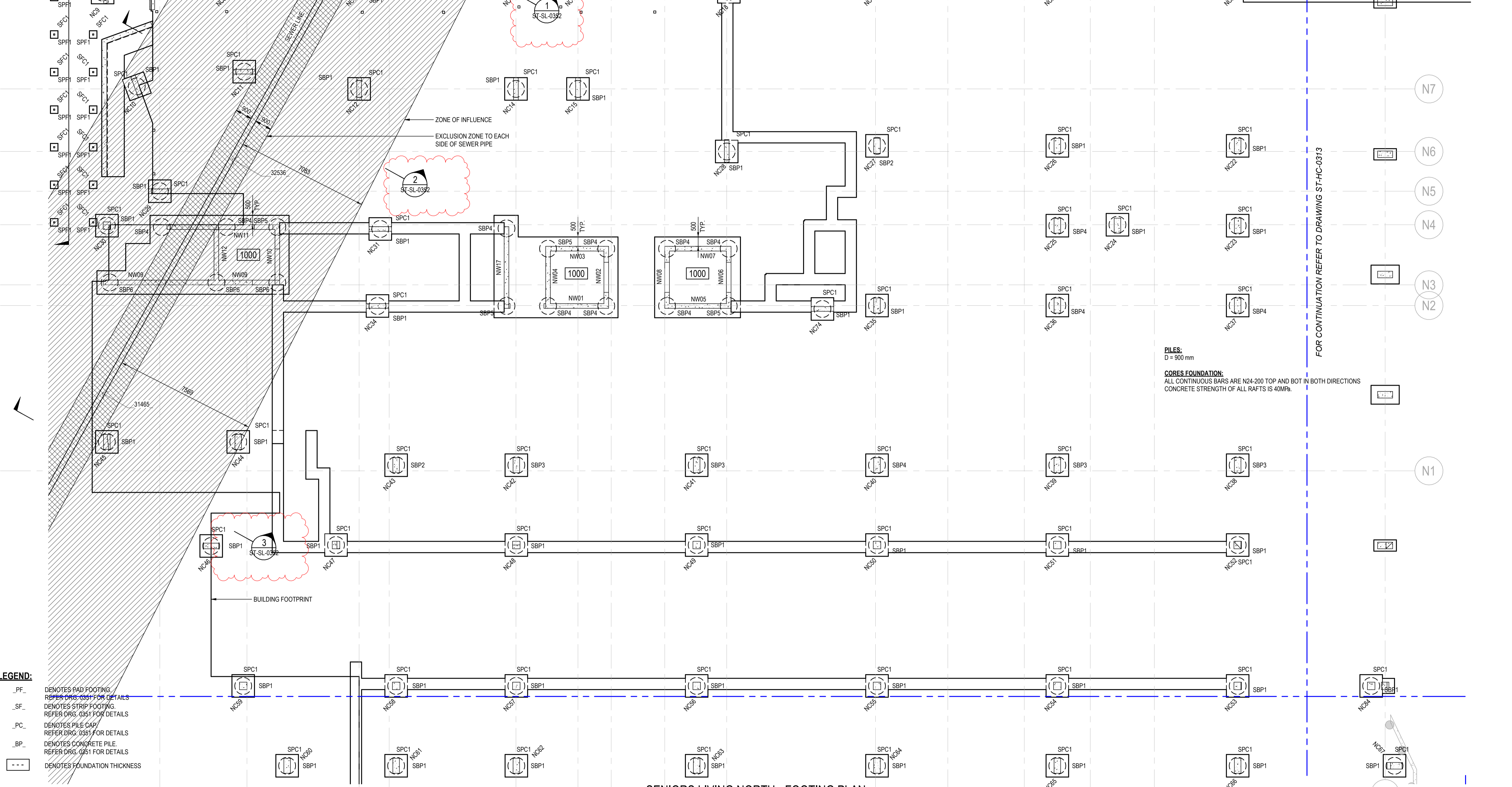
ARCHITECT
BIM STUDIO 3, LEVEL 3
35 BUCKINGHAM STREET
SYDNEY NSW 2010

PROJECT TITLE
GREENWICH HOSPITAL REDEVELOPMENT
RIVER RD, GREENWICH

DRAWING TITLE
SENIORS LIVING OVERALL FOOTING PLAN

DRAWING STATUS				
INFORMATION				
NOT TO BE USED FOR CONSTRUCTION				
PROJECT LEADER L.S.	DESIGNER L.S.	SIGNATURE		
DRAFTSPERSON V.N.	SCALE 1:200	DATE	SHEET SIZE A1	
JOB No. SY210042	DRAWING No. ST-SL-0300	REVISION A		

Regulated Design record					
Project Address: 97-115 RIVER RD, GREENWICH NSW 2065					
Project Title: GREENWICH HOSPITAL REDEVELOPMENT					
Consent No: ST-0-12619238	Body Corporate No:				
Drawing Title: SENIORS LIVING NORTH - FOOTING PLAN	Drawing Number: ST-SL-0301				
Rev	Date	Description	DP	Full Name	Reg No



NOTES:
 1. REFER DRG. No. 0101 TO 0104 FOR STRUCTURAL NOTES
 2. REFER DRG. No. 0111 TO 0114 FOR TYPICAL DETAILS
 3. FOR ALL SET OUT DIMENSIONS, LEVELS, SET DOWNS, HOBS, KERBS AND FALLS, REFER TO ARCHITECTS DRAWINGS.

FOR CONTINUATION REFER TO DRAWING ST-HC-0313

PILES:
 D = 900 mm
CORES FOUNDATION:
 ALL CONTINUOUS BARS ARE N24-200 TOP AND BOT IN BOTH DIRECTIONS
 CONCRETE STRENGTH OF ALL RAFTS IS 40MPa.

LEGEND:

PF	DENOTES PAD FOOTING. REFER DRG. 0351 FOR DETAILS
SF	DENOTES STRIP FOOTING. REFER DRG. 0351 FOR DETAILS
PC	DENOTES PILE CAP. REFER DRG. 0351 FOR DETAILS
BP	DENOTES CONCRETE PILE. REFER DRG. 0351 FOR DETAILS
---	DENOTES FOUNDATION THICKNESS

SENIORS LIVING NORTH - FOOTING PLAN

FOR CONTINUATION REFER TO DRAWING ST-SL-0311

SCALE 1:100

REVISIONS	REVISION DESCRIPTION	DATE
I	PRELIMINARY DCP ACT ISSUE	05-08-2024
H	REVISIONS AS CLOUDED	19-06-2024
G	REVISIONS AS CLOUDED	12-02-2024
F	ISSUED FOR 100% DOCUMENTATION	12-12-2023
E	ISSUED FOR INFORMATION	15-11-2023
D	ISSUED FOR 90% CONSTRUCTION DOCUMENTATION PHASE	22-09-2023
C	ISSUED FOR 80% CONSTRUCTION DOCUMENTATION PHASE	30-06-2023
B	REVISIONS AS CLOUDED	01-05-2023
A	40% DOCUMENTATION. ISSUED FOR REVIEW	11-11-2022

COPYRIGHT: THIS DRAWING IS COPYRIGHT AND THE PROPERTY OF VAN DER MEER (NSW) PTY LTD. IT MUST NOT BE RETAINED, COPIED OR USED WITHOUT THE AUTHORITY OF VAN DER MEER (NSW) PTY LTD.
 WHERE THE DRAWING HAS BEEN ALTERED, AMENDED OR CHANGED EITHER MANUALLY OR ELECTRONICALLY BY ANY THIRD PARTY THIS IS AN UNCONTROLLED DOCUMENT. ISSUED FOR INFORMATION PURPOSES ONLY. UNLESS SPECIFICALLY FIGURED DIMENSIONS TAKE PRECEDENCE OVER SCALES.
 THE DRAWING AND ITS CONTENTS ARE ELECTRONICALLY GENERATED. ARE CONFIDENTIAL AND MAY ONLY BE USED FOR THE PURPOSES FOR WHICH THEY WERE INTENDED. VAN DER MEER (NSW) PTY LTD. WILL NOT ACCEPT RESPONSIBILITY FOR ANY CONSEQUENCES ARISING FROM THE USE OF THE DRAWING FOR OTHER THAN ITS INTENDED PURPOSE OR IF IN DOUBT - ASK.

van der meer
 LEVEL 6, 39 CHANDOS STREET
 SYDNEY NSW 2065
 Telephone 61-2-9436 0433 Fax 61-2-9436 1370

HammondCare
 Champion Life

BIM
 STUDIO 3, LEVEL 3
 35 BUCKINGHAM STREET
 SYDNEY NSW 2010

PROJECT TITLE:
 GREENWICH HOSPITAL REDEVELOPMENT
 97-115 RIVER RD, GREENWICH NSW 2065

DRAWING TITLE:
 SENIORS LIVING NORTH - FOOTING PLAN

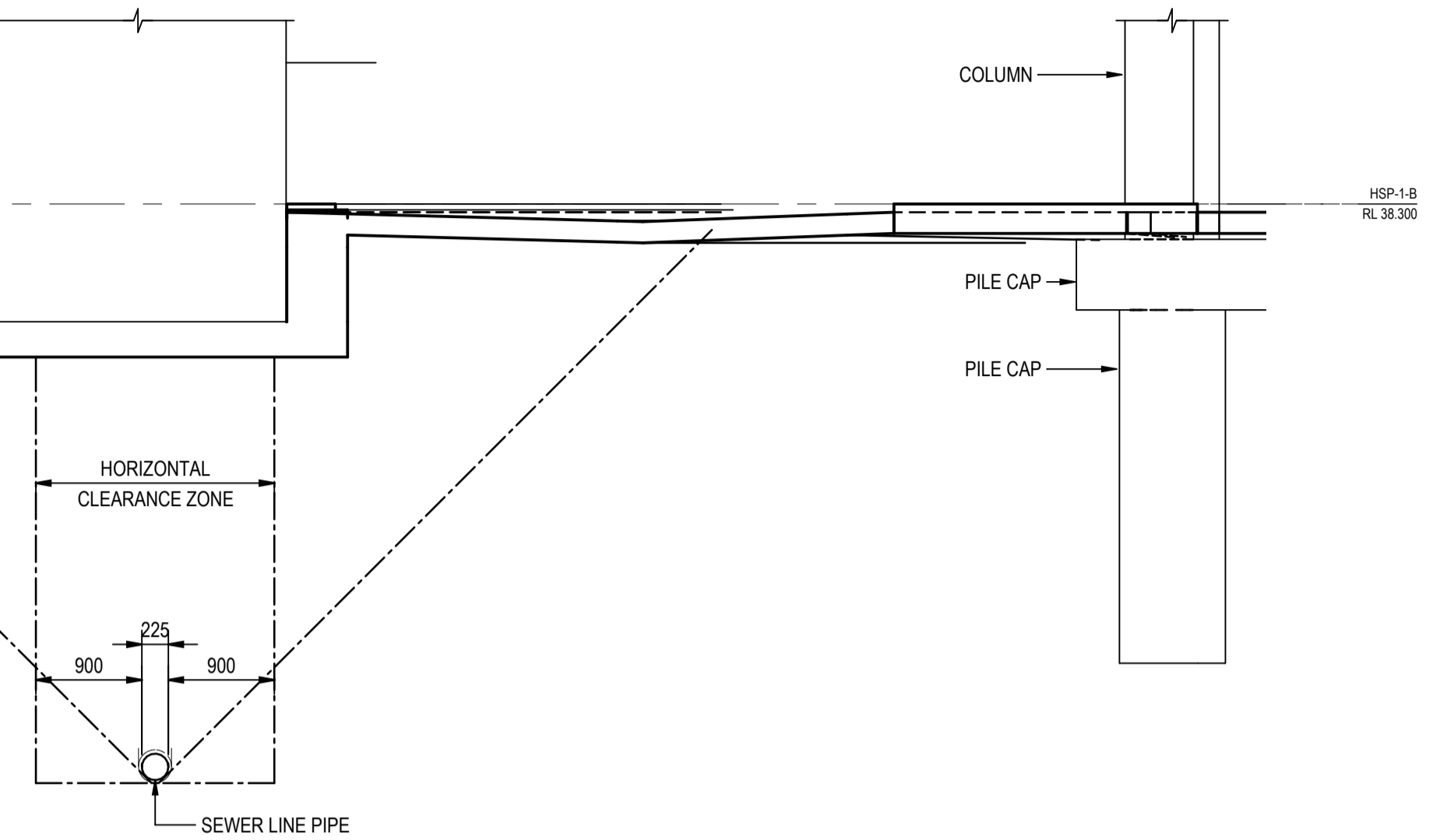
INFORMATION			
NOT TO BE USED FOR CONSTRUCTION			
PROJECT LEADER L.S.	DESIGNER L.S.	SIGNATURE	
DRAFTSPERSON V.N.	SCALE 1:100	DATE	SHEET SIZE A1
DRAWING No. SY210042		REVISION ST-SL-0301 I	

C:\Users\joathia\pictures\Documents\SY210042 - HammondCare - RTV2024 - joathia.pictures\COM201.rvt

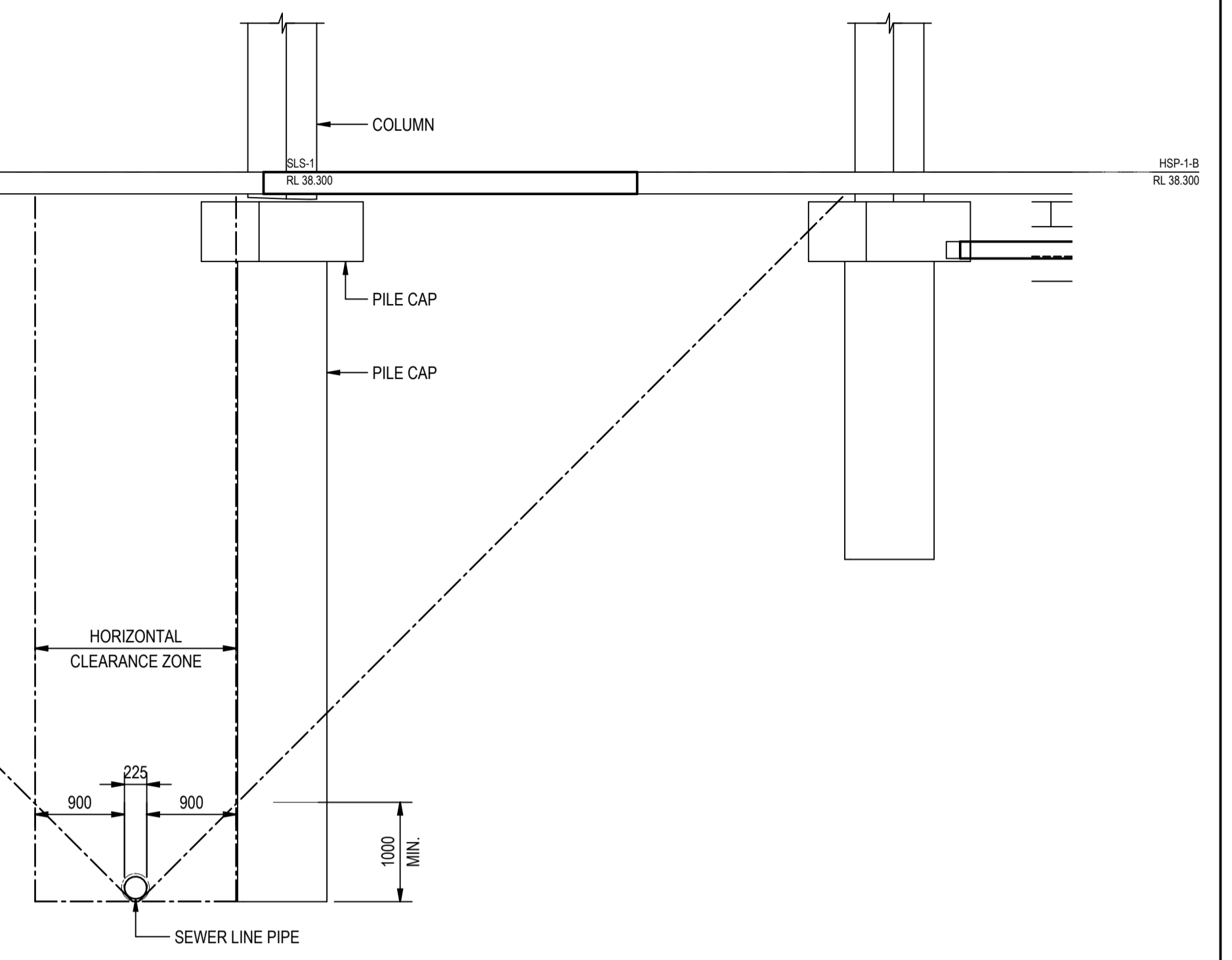
Regulated Design record				
Project Address: 97-115 RIVER RD, GREENWICH NSW 2065				
Project Title: GREENWICH HOSPITAL REDEVELOPMENT				
Consent No: SSD-13619238		Body Corporate No:		
Drawing Title: SENIORS LIVING - FOOTING DETAILS - SHEET 2			Drawing Number: ST-SL-0352	
Rev	Date	Description	DP Full Name	Reg No
	dd.mm.yy			
SHEET 2		NON LOAD-BEARING BLOCKWALL		
		LANDSCAPE PLANTER		

NOTES:

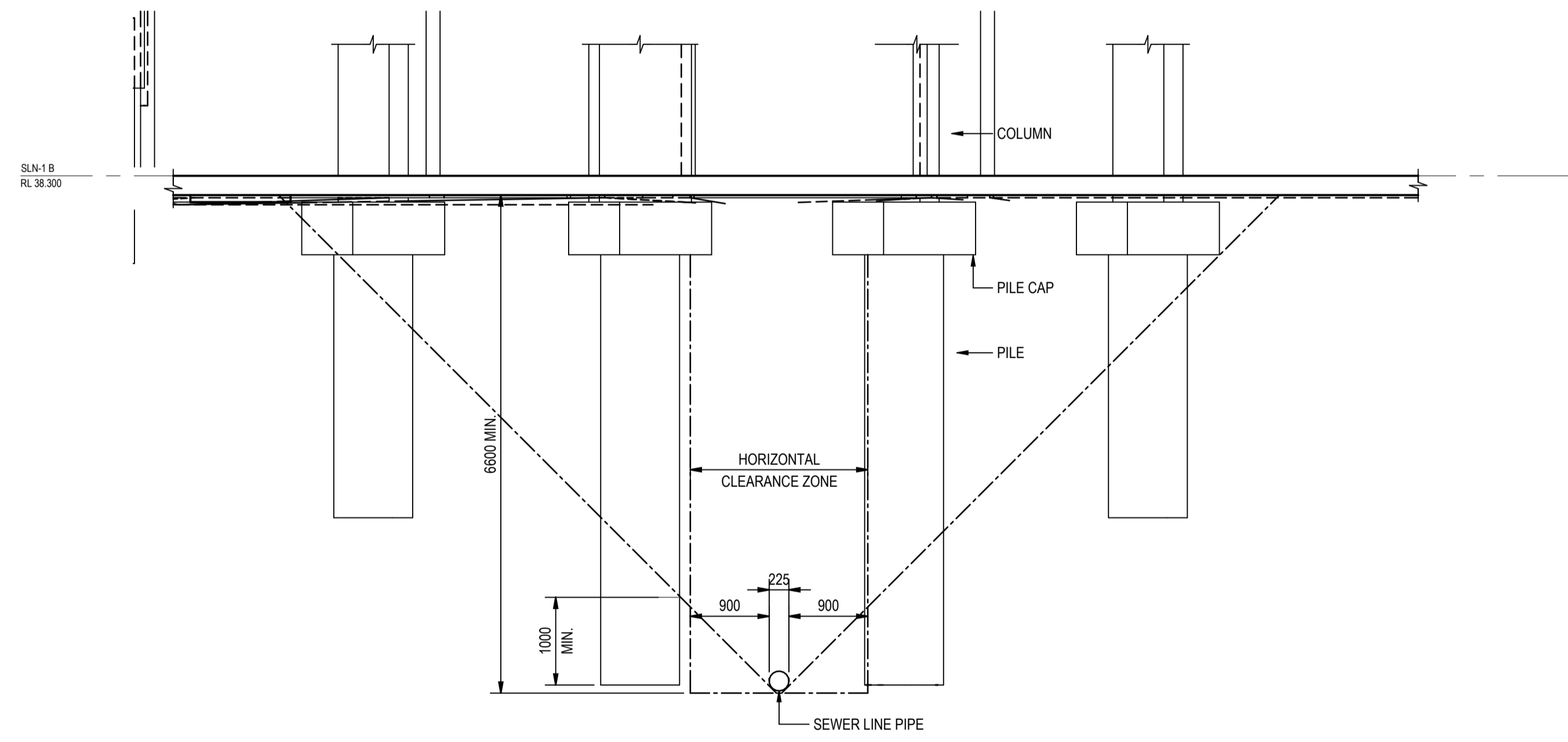
- REFER DRG. No. 0101 TO 0104 FOR STRUCTURAL NOTES
- REFER DRG. No. 0111 TO 0114 FOR TYPICAL DETAILS
- FOR ALL SET OUT DIMENSIONS, LEVELS, SET DOWNS, HOBS, KERBS AND FALLS, REFER TO ARCHITECTS DRAWINGS.



SECTION 1
SCALE 1 : 50 (ST-SL-0301)



SECTION 3
SCALE 1 : 50 (ST-SL-0301)



SECTION 2
SCALE 1 : 50 (ST-SL-0301)

C:\Users\joathia\pictures\Documents\SY210042 - HammondCare_RTY2024_drawing_attachments\01201.on

REVISIONS			
No.	REVISION DESCRIPTION	DRAWN	DATE

REVISION IN PROGRESS

THIS DRAWING IS NOT FOR CONSTRUCTION



CLIENT	HammondCare Champion Life
ARCHITECT	BIM STUDIO 3, LEVEL 3, 35 BUCKINGHAM STREET, SYDNEY NSW 2010

PROJECT TITLE	GREENWICH HOSPITAL REDEVELOPMENT 97-115 RIVER RD, GREENWICH NSW 2065
DRAWING TITLE	SENIORS LIVING - FOOTING DETAILS - SHEET 2

DRAWING STATUS				INFORMATION			
NOT TO BE USED FOR CONSTRUCTION							
PROJECT LEADER	DESIGNER	SIGNATURE					
L.S.	L.S.						
DRAFTSPERSON	SCALE	DATE	SHEET SIZE				
V.N.	1:50		A1				
JOB No.	DRAWING No.		REVISION				
SY210042	ST-SL-0352		B				